

IMPORTANT SAFETY INSTRUCTIONS DO NOT DESTROY

Thank you for purchasing this
Heated Product

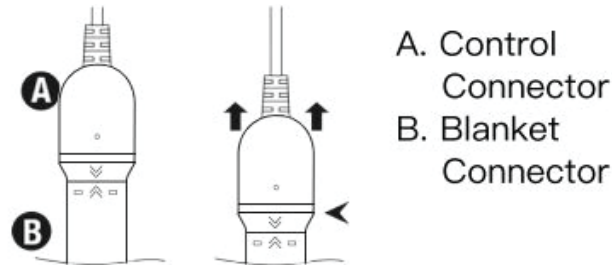
QUICK SETUP PROCEDURES	1
CONTROLLER SETTINGS	2
SETUP AND CARE	3
SAFETY ESSENTIALS	4

WASHING INSTRUCTIONS	5
FREQUENTLY ASKED QUESTIONS	6
PRODUCT SPECIFICATIONS	7
WARRANTY	8

QUICK SETUP PROCEDURES

STEP 1: Connect Power Cord

Connect power cord to the heating pad by matching the arrow on the power cord to the arrow on the connector. Once arrows are aligned, push cord into the connector until they are securely connected. You should feel it snap into position.



STEP 2: Plug Controller into the wall

Once you have properly attached power cord to the connector, plug your heated pad into the wall.

CAUTION:

- Do not plug main power cord into the wall outlet until you have completely set up your heated product per the instructions.
- Disconnect power cord from the wall before detaching controller cord from your heated product.
- Always make sure cords are not pinched between mattress, bed slats, furniture, wall, or any surface.
- This product has a polarized plug (one plug blade is wider than the other). To reduce the risk of electrical shock, if this plug does not fit in the outlet, reverse the plug. If it still does not fit, contact an electrician.
Do not attempt to defeat this safety feature.



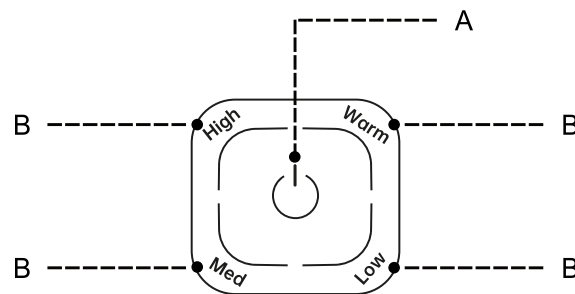
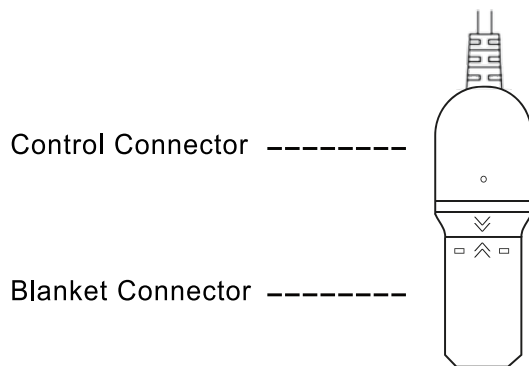
CONTROLLER SETTINGS

Controller Settings

- To turn the heated throw on, press the Heat Control Button.
- Select from 4 Heat settings; (Warm-Low-Med-High) by repeatedly pressing the Heat Control Button until the desired setting indicator lights up
- To turn the heated throw off, press the Heat Control Button repeatedly until all of the indicator lights turn off.

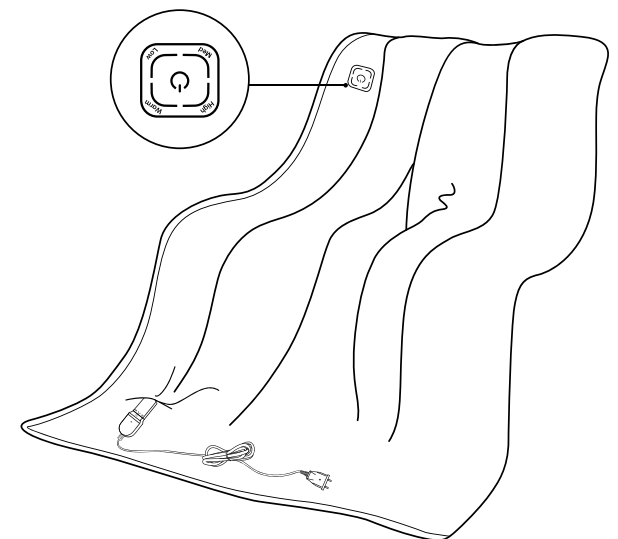
This warning throw will auto-shut-off in 4 hours.

- To continue using longer than 4 hours, press the power button to restart the throw.



A: Heat Control Button

B: Heat Setting Indication: Warm-Low-Med-High



SETUP AND CARE

- Never trap or pinch any of the electrical cords in any way.
- The heated area of the warming throw should always lie flat to prevent overheating.
- Be sure that the power supply is used only on 120V, 60HZ Current Supply.
- Make sure the cord from the controller to your heated product is connected and locked tightly.
- The warming products should never be folded, balled up or bunched in any way when in use.
- This may result in overheating and/or permanent wrinkling of the fabric.
- Never use in combination with other electric blankets.
- Do not use with generators, power converters, or inverters.
- Always turn off the electric current when the warming product is not in use, either by turning off the controller or unplugging from the wall outlet.
- Wrapping of the cord around the controls may damage the cord. Loop loosely when storing.
- NEVER iron your warming product.
- NEVER use dry cleaning fluid on this product. Cleaning solvents may damage the wiring insulation.
- If improper operation of this heating pad is observed, discontinue its use immediately and consult the manufacturer or the dealer regarding its repair.
- Do not tuck in the wired area of this heating pad
- Cats , Dogs and other pets should be kept away from this product. Sharp claws may damage the heating Element.
- Keep Controls away from Drafty areas that may be Damp or Wet, such as open Windows.

SAFETY ESSENTIALS

To operate this warming product properly and safely, there are some critical safety precautions you need to follow. As with all electrical appliances, there is an inherent danger of overheating, fire or personal injury if the product is not used correctly. Please carefully read all instructions before using the warming product.

1. DO NOT USE WHILE SLEEPING.
2. DO NOT USE ON AN INFANT, CHILDREN OR ANIMALS.
3. DO NOT USE ON PEOPLE WITH DISABILITIES OR ANYONE WHO IS IMMOBILE OR CANNOT OPERATE THE CONTROLS PROPERLY.
4. THIS WARMER IS NOT TO BE USED BY OR ON AN INVALID, SLEEPING OR UNCONSCIOUS PERSON, OR A PERSON WITH POOR BLOOD CIRCULATION UNLESS CAREFULLY ATTENDED.
5. DO NOT USE ON AREAS OF INSENSITIVE SKIN.
6. BURNS CAN OCCUR REGARDLESS OF CONTROL SETTING, CHECK SKIN UNDER WARMER FREQUENTLY.
7. DO NOT USE PINS OR OTHER METALLIC MEANS TO FASTEN THIS WARMER IN PLACE. THEY MAY DAMAGE THE ELECTRIC WIRING.
8. DO NOT STAND ON, SIT ON OR CRUSH WARMER – AVOID SHARP FOLDS.
9. NEVER PULL THIS WARMER BY THE SUPPLY CORD OR USE THE CORD AS A HANDLE.
10. DO NOT TUCK IN, TRAP, FOLD, CROSS, PINCH OR WRAP CONTROL OR CORD WITH HEATING PAD DURING USE.
11. CAREFULLY EXAMINE PAD, CORD AND CONTROLLER BEFORE EACH USE. DISCARD THE PAD IF ANY SIGN OF DETERIORATION, WEAR OR DAMAGE.
12. LOOP CORD LOOSELY WHEN STORING, TIGHT WRAPPING MAY DAMAGE CORD AND INTERNAL PARTS.
13. DO NOT USE ON ANYONE WHO CANNOT OR WILL NOT UNDERSTAND THESE DIRECTIONS

WASHING INSTRUCTIONS

WASHING INSTRUCTIONS

NEVER DRY CLEAN OR USE BLEACH. BEFORE WASHING, DISCONNECT ALL CORDS.

Do not dry-clean this heating pad. Cleaning solvents may have a deteriorating effect on the insulation of the heating element.

MACHINE WASHING

NEVER submerge cords or control unit. Place textile portion without cords in the washing machine. Machine wash warm on gentle or delicate cycle.

HAND WASHING

Washing your warming product by hand is the best way to make it last. To do this, disconnect all cord(s). Wash your textile separately by hand in a tub of lukewarm(100°F) water using a small amount of mild laundry soap or detergent. Soak for 5 minutes. Next, gently work the textile up and down for five more minutes. NEVER rub or scrub. Rinse thoroughly in cool water until all traces of soap or detergent are gone. Squeeze excess water out by hand, NEVER twist. Do not use a wringer.

DRYING INSTRUCTIONS

NEVER USE COMMERCIAL DRYERS AT THE LAUNDRO MAT. THEY MAY BE EXTRA HOT AND COULD DAMAGE THE WIRING. DO NOT IRON. DO NOT PLUG IN UNTIL COMPLETELY DRY.

MACHINE DRY

To machine dry, put your product into a family washing machine and dryer on low heat below 40°C. Ensure that the textile has enough room to tumble freely. If heating pad draws in during washing, while still damp gently stretch until it returns to its original size.

LINE DRY

You can line dry, simply by draping the warming heating pad over two parallel clotheslines or a shower rod with the head and foot ends down. Do not reconnect warming products until they are completely dry. Do not use clothes pins that can pinch wires.

STORAGE

Store folded in a dry location.

FREQUENTLY ASKED QUESTIONS

Q: The light on my controller does not light up.

A: Assure that all the wire connections are tight and that the power cord is connected to an “energized” socket.

Q: The controller is lit but the heating pad does not heat up.

A: Test the product by folding the textile over on itself and turning on the controller. Ensure the controller lamp is lit. After approximately five minutes, carefully feel between the layers. Never leave the product turned on and folded up for more than a few minutes.

Q: My power supply cord Sparked at the wall outlet when I plugged it in?

A: Many electric appliances will sometimes “snap” due to the inrush of electricity when first plugged in. This is completely normal and nothing to be concerned about.

Q: Why is my controller warm?

A: A small amount of heat is produced when transferring power from the wall to the blanket. This warmth is completely normal and nothing to be concerned about.

Q: I feel some warmth but not a lot. How warm should this Throw get?

A: This Throw is not like a Heating Pad, during Normal operation mode, warming blankets will not feel hot to the touch. This throw will provide enough warmth to keep you quite comfortable even in an extremely cold room with only a light blanket on top. Several nights of experimenting should let you find your personal comfort level.

Q: Can I sit or lie on my heating pad?

A: Just sitting or lying on the heating pad will not harm it. Jumping on it or other similar abuse may damage it.

Q: Can this be plugged into a power strip?

A: Yes, you can.

Q: What type of plug does this have?

A: The heating pad plug is a normal plug, which can only be used in the house, Do not attempt to modify this plug.

PRODUCT SPECIFICATIONS

MODEL	LMTH-A-2841
NAME	Heating Throw
INPUT	AC 120 VAC/60Hz
RATED	110W
HEATING	Warm-Low-Med-High
DEFAULT	4H
SIZE	50 IN. x 60 IN.
MATERIAL	100% Polyester
HEATING WIRE	PTC+NTC
POWER CORD LENGTH	2 Meters / 79 Inches
STORAGE CONDITIONS	Laid out clean and dry

WARRANTY

No warranty will be granted without the original receipt, gift receipt or copy there of.

E&E CO.Ltd. MAKES NO OTHER WARRANTIES, EXPRESS OR IMPLIED, NOT OTHERWISE SPECIFIED HERE IN:

To Obtain Warranty Service

For any questions you may have about your warming product, please contact E&E CO. Ltd. customer service at 1-866-456-8852. If you have recently purchased this item, within the last 30 days, please return the item to the original place of purchase for a full refund or exchange.

If instructed to return your product for repair or replacement by our customer service department, attach a tag to the product (do not use pins) that includes your name, address and daytime telephone number. Please include a copy of the original sales receipt. Carefully package (clean and pet-hair free) the product. Use UPS or parcel post, with shipping and insurance prepaid. Ship the product only to the address provided by Customer Service, NOT the address listed above.

**E&E Co. Ltd.
45875 Northport Loop East
Fremont, CA 94538**

**For additional product information,
Visit our website <https://peacefulnights.info>,
or scan this code;**



E&E CO. Ltd. warrants that for a period stated below from the date of purchase, this product will be free from defects in material and workmanship. This warming product manufactured by E&E CO. Ltd. will carry a THREE year limited warranty. E&E CO. Ltd., at its option, will repair this product or any component of the product found to be defective during the warranty period. Replacement will be made with a new or remanufactured product or component. If the product is no longer available, replacement may be made with a similar product of equal or greater value. This is your exclusive warranty. This warranty is valid for the original retail purchaser from the date of initial retail purchase and is not transferable. Keep the original sales receipt. Proof of purchase is required to obtain warranty performance. E&E CO. Ltd., or any retail stores selling the E&E CO. Ltd. products do not have the right to alter, modify, or any way change the terms and conditions of this warranty.

This warranty does not cover normal wear of parts or damage resulting from any of the following negligent use or misuse of the product: use on improper voltage; or current, or use contrary to the operating instructions, disassembly, repair or alteration by anyone other than E&E CO. Ltd. Further, the warranty does not cover Acts of God, or Nature, such as fire, flood, hurricanes and tornadoes. E&E CO. Ltd. shall not be liable for any incidental or consequential damages caused by the breach of any express or implied warranty. Except to the extent prohibited by applicable law, any implied warranty of merchantability or fitness for a particular purpose is limited in duration to the duration of the above warranty. Some states, provinces or jurisdictions do not allow the exclusion or limitation of incidental or consequential damages or limitations on how long an implied warranty lasts, so the above limitations or exclusion may not apply to you. This warranty gives you specific legal rights, and you may also have other rights that vary from state to state or province to province.